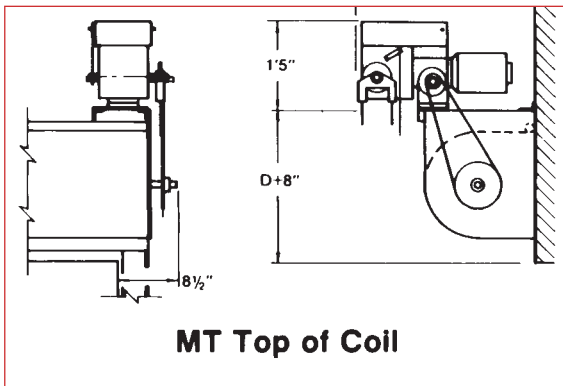
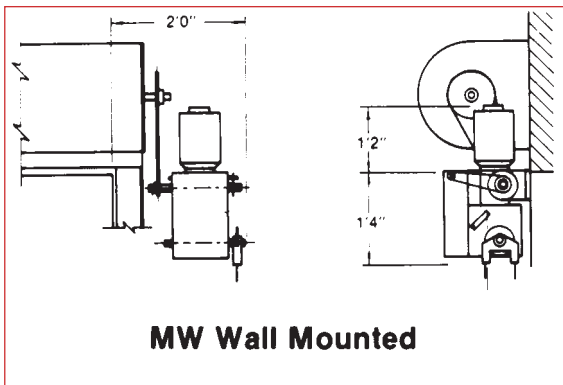
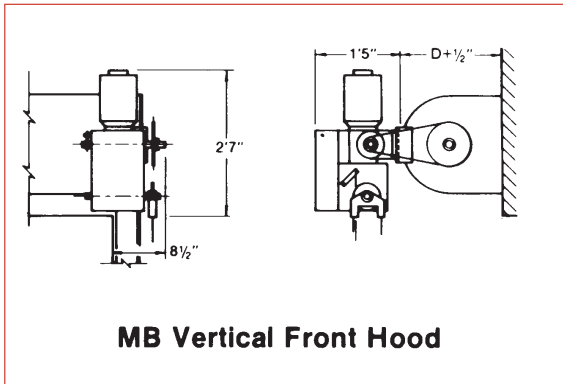


Acme Electric Door Operators

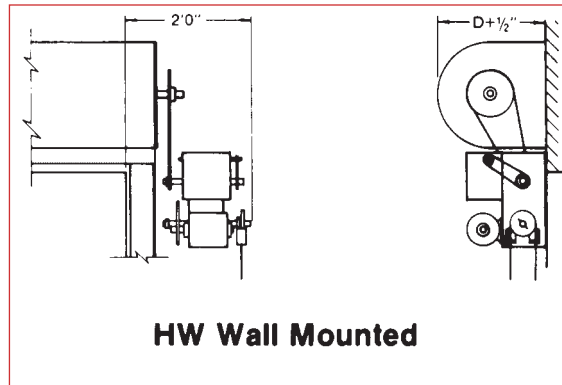
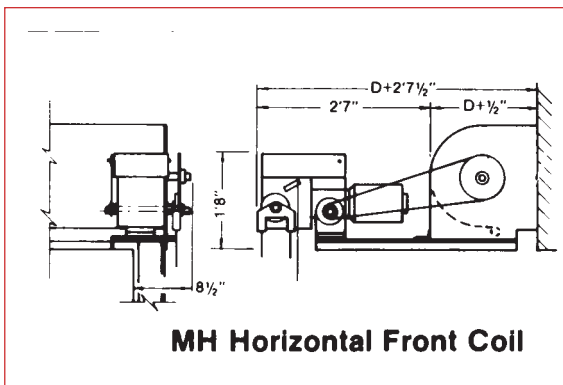
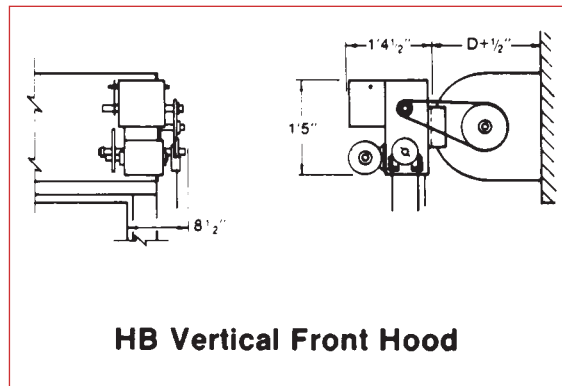
MOTOR OPERATOR MOUNTING ARRANGEMENTS



**AMPERAGE AND HORSEPOWER DATA
(M OPERATORS)**

max.sq.ft.area								
Service Doors	Insulated Doors	Fire Doors	Grilles	H.P.	Voltage	Phase	Amps	
260	150	240	400	1/2	115	1	8.8	
					208-230	1	4.4	
					208-230	3	2.2	
					460	3	1.1	
300	180	300	550	3/4	115	1	10.8	
					208-230	1	5.4	
					208-230	3	2.8	
					460	3	1.4	
340	200	340	640	1	115	1	12.8	
					208-230	1	6.4	
					208-230	3	3.4	
					460	3	1.7	
430	260	430	n/a	1-1/2	115	1	17.2	
					208-230	1	8.6	
					208-230	3	4.6	
					460	3	2.3	
480	350	480	n/a	2*	115	1	21	
					208-230	1	10.5	
					208-230	3	6.2	
					460	3	3.1	
700	520	700	n/a	3	208-230	3	8.8	
					460	3	4.4	

* 2hp 1 ph by special order only.
Amps shown are full load.
Running loads are lower.



(Consult factory for special applications)

